



VI TRACK TRANSFORMER

**TECHNICAL
DATA SHEET**

*GIVES LIGHT WITHIN SECOND
WITHOUT INSTALLATION*



VITRINEMEDIA
BE REMARKABLE

CONCEPT AND BENEFITS

VM TRACK TRANSFORMER

enables easy and cost-effective integration of VITRINEMEDIA's technology with your existing equipment.



Display on window with a **reasonable budget**



Enables to hang VITRINEMEDIA displays on windows or inside **without needing any installation** of track on the ceiling



Perfect integration with existing lighting elements installed on the track



Compatible with **ERCO** and **EUTRAC** tracks



PRODUCT PRESENTATION



Color
White



Compatibility LED display
VI ONE from A4 to A1
VI TWO from A4 to A1
VI SIGN R60
VI BANNER S & L



Compatibility LCD display
VI LIGHT & PLAY 21.5
 1000 & 1500



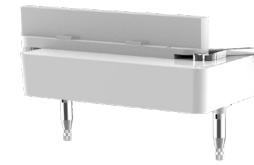
Orientation
hybrid



Available power
75 watts



Maximum weight
hanged 10 Kgs



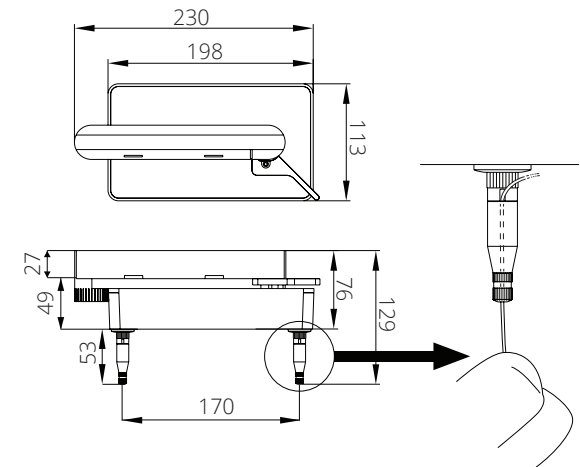
Transformer
equipped with
fixations



300 cm pair
of cables



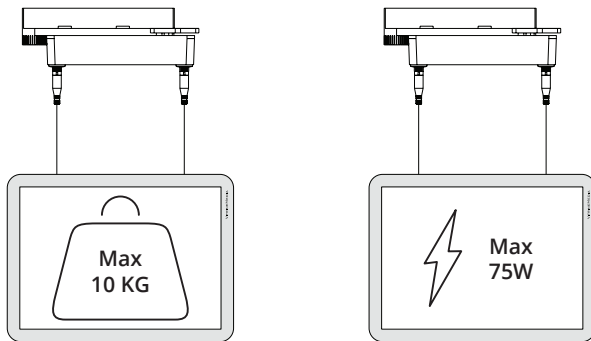
Level



Dimension (mm)

CONDITIONS OF USE

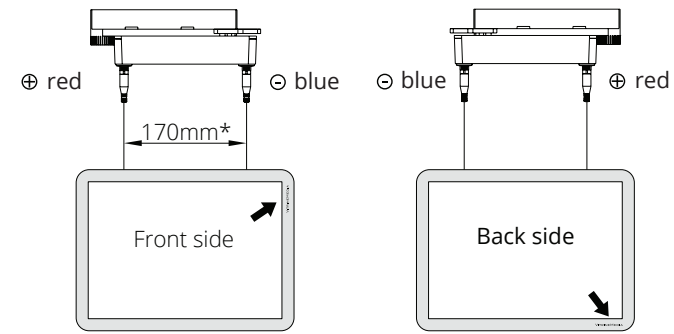
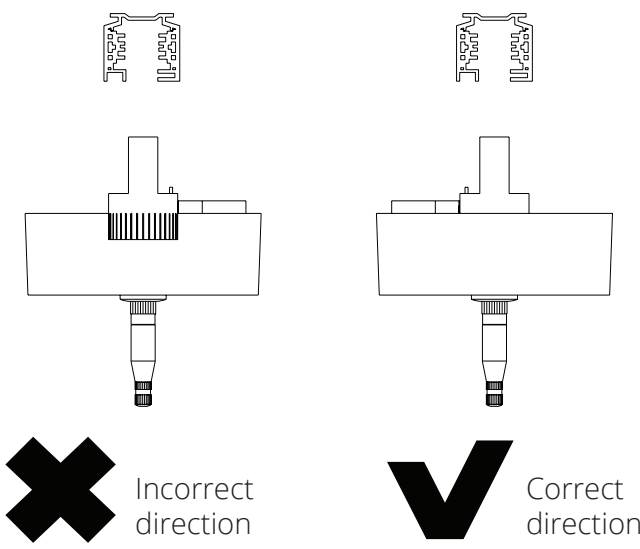
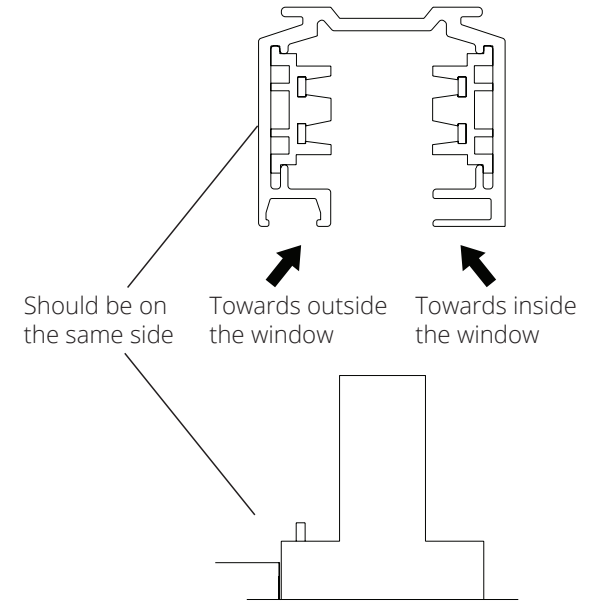
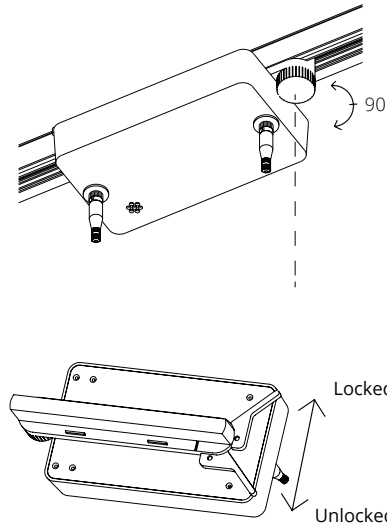
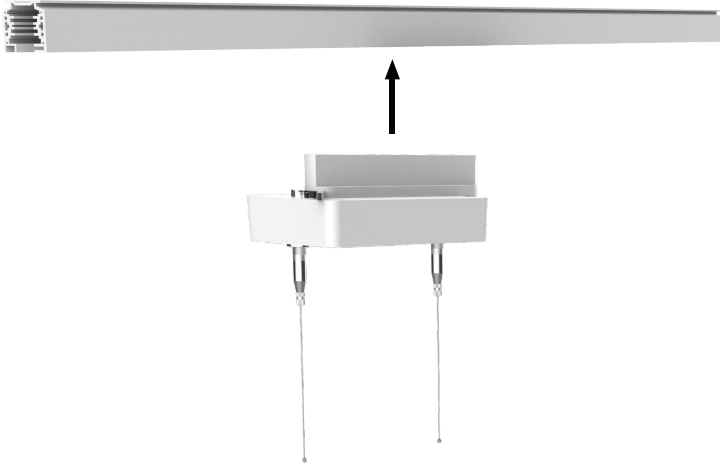
The maximum authorised mass hung by the VM Track Transformer is 10 kgs.
The maximum authorised cumulated power on the VM Track Transformer is 75 W.



Format VM Two	A4	A3	A2	A1	A0	Banner S	Banner L	VM Sign	VM L&P 1000	VM L&P 1500
Mass (kgs)	0.9	1.6	2.9	6.8	18.2	6,7	9	3.6	3.1	3.3
Power (w)	6	8	11	25	35	27	35	16	39	41



INSTALLATION

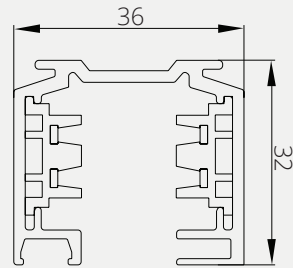
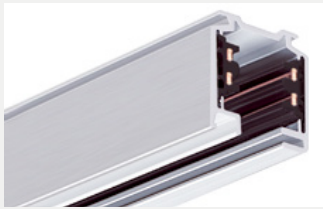


From outside the window

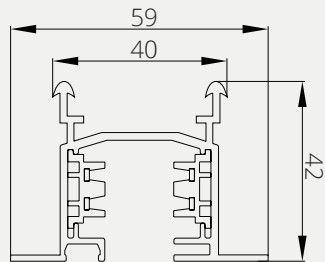
From inside the window

COMPATIBLE EUTRAC TRACKS

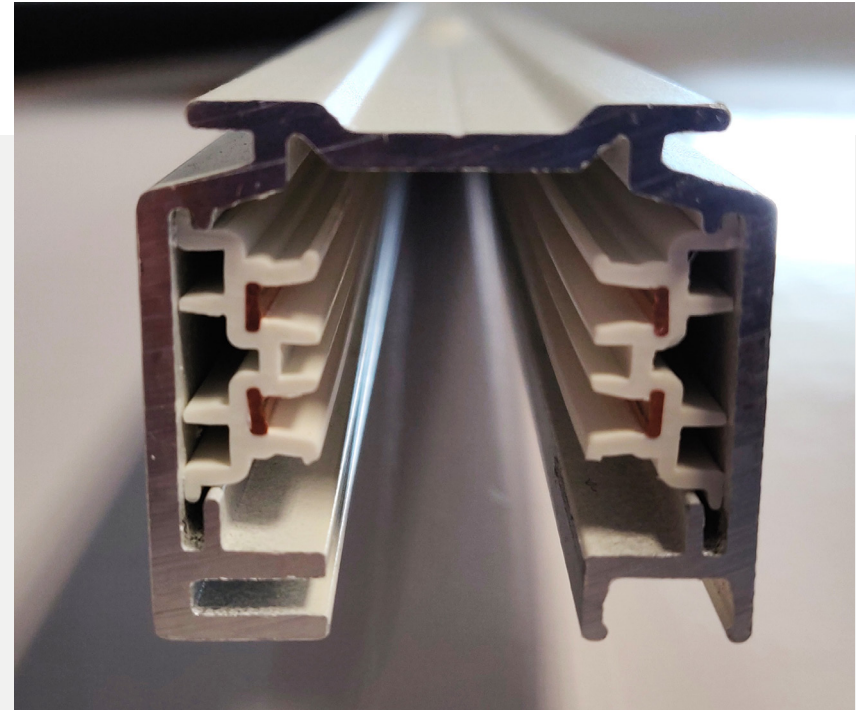
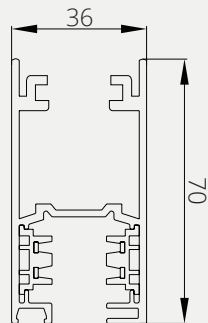
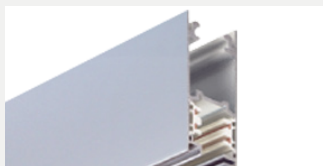
Surface
track



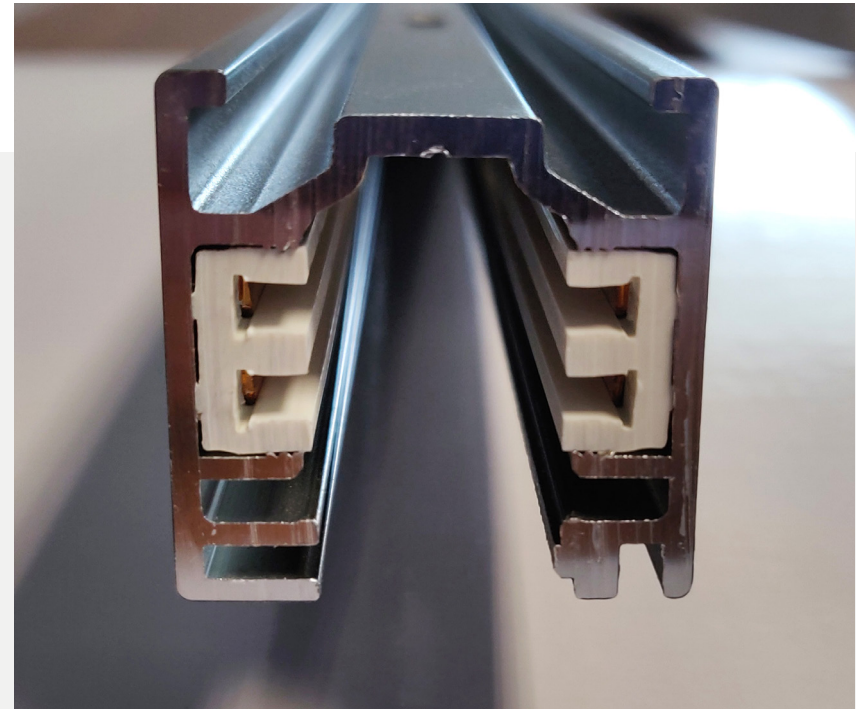
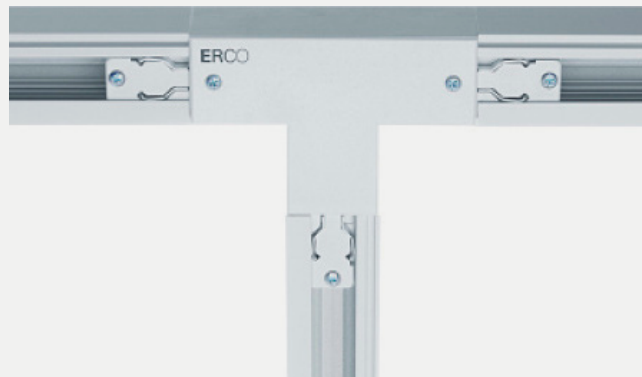
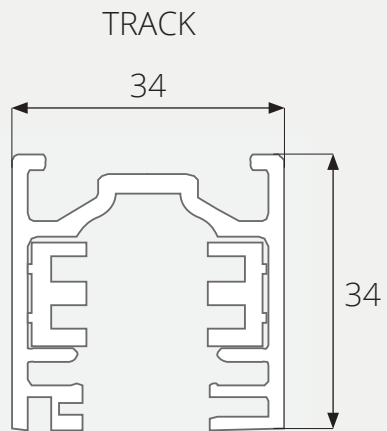
Recessed
track



High
track

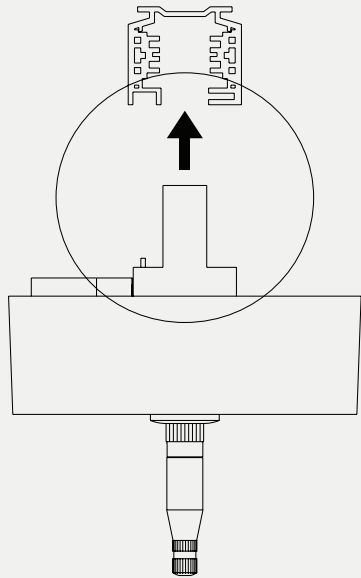


COMPATIBLE ERCO TRACK



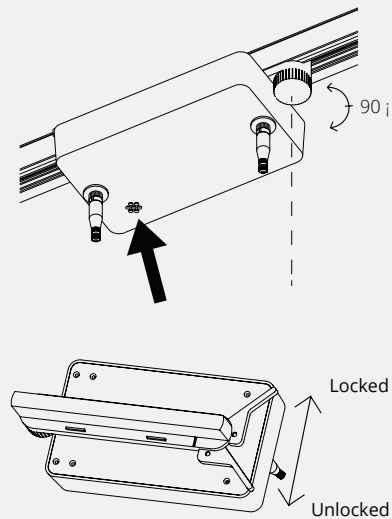
BE REMARKABLE IN 4 STEPS

1 Install the VM Track Transformer by pushing it into the track in the correct direction.



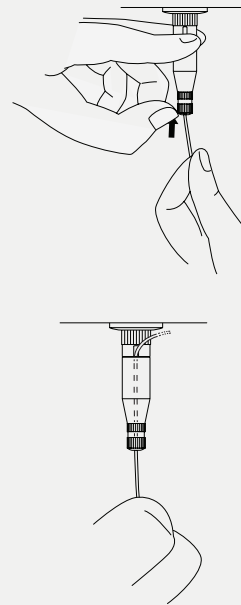
2 First, turn the knob 90° clockwise or counterclockwise depending on the track wiring.

Then place the handle in its locked position



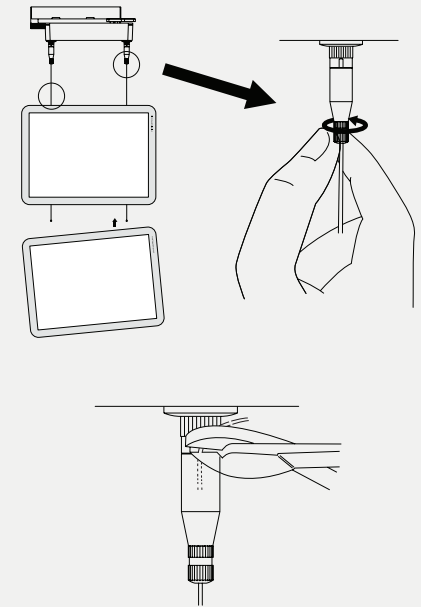
3 Press on the sides of the screw and insert the cable through the nose cone.

Release the screw once the cable is at the desired height.



4 Once your column of display panels is fully installed, firmly tighten the end cap of the fixtures.

Then Cut the cables.





VITRINEMEDIA

BE REMARKABLE

50 Route de la Reine
92 100 Boulogne-Billancourt
- FRANCE - +33 (0)1 49 21 00 61
contact@vitrinemia.com
www.vitrinemia.com