

vitrinemedia

| **VM AIR LINE**



VM AIR LINE

BE REMARKABLE

Elevate your content with the VM AIR LINE!

With his aerial and simplistic design, the VM AIR LINE offers an innovative solution to display your content with a suspended ESD[®].

INSTALLATION:

This system does not shy away from our LED solutions. It maintains the same hanging cable with a ceiling fixation to keep the installation simple and discreet.

The braided cable along the hanging cable provides power to the ESD[®] without any compromise on the minimalist look.

COMPATIBILITY:

The flexible nature of the VM AIR LINE makes it mountable to fit your needs and preferences.

Ideal for 49"/55" ESD[®] screens, either horizontal or vertical. While remaining perfectly compatible with the textile back cover.

Pack of accessories included in the packaging allow the VM AIR LINE to be suspended in almost any type of ceiling.



ADVANTAGES



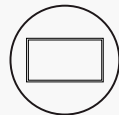
Color
Matt black



Max loading
85kg

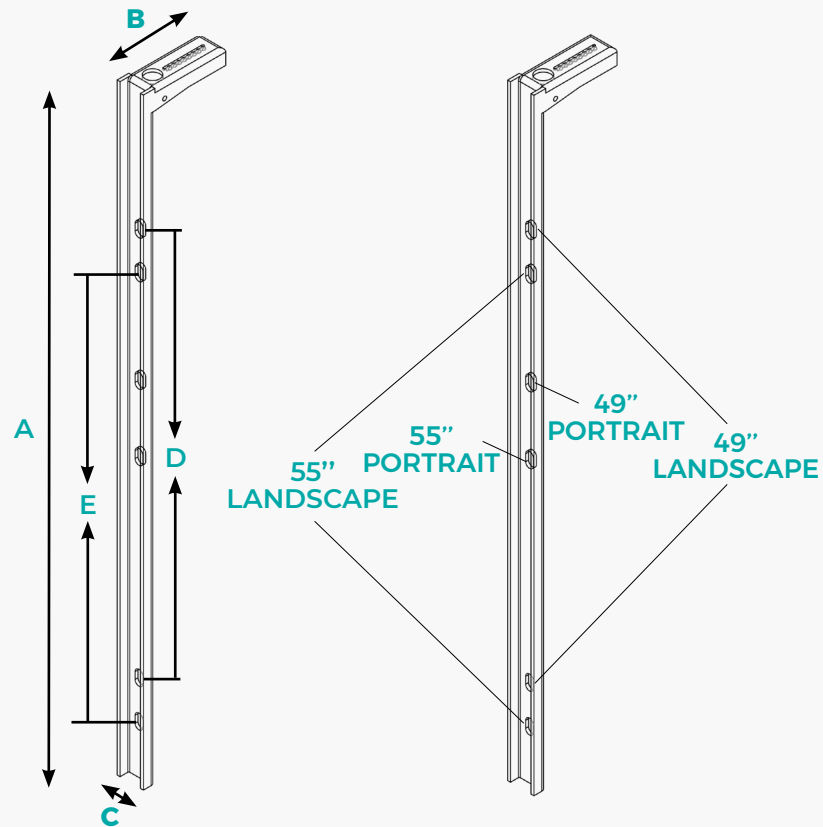


Easy Installation

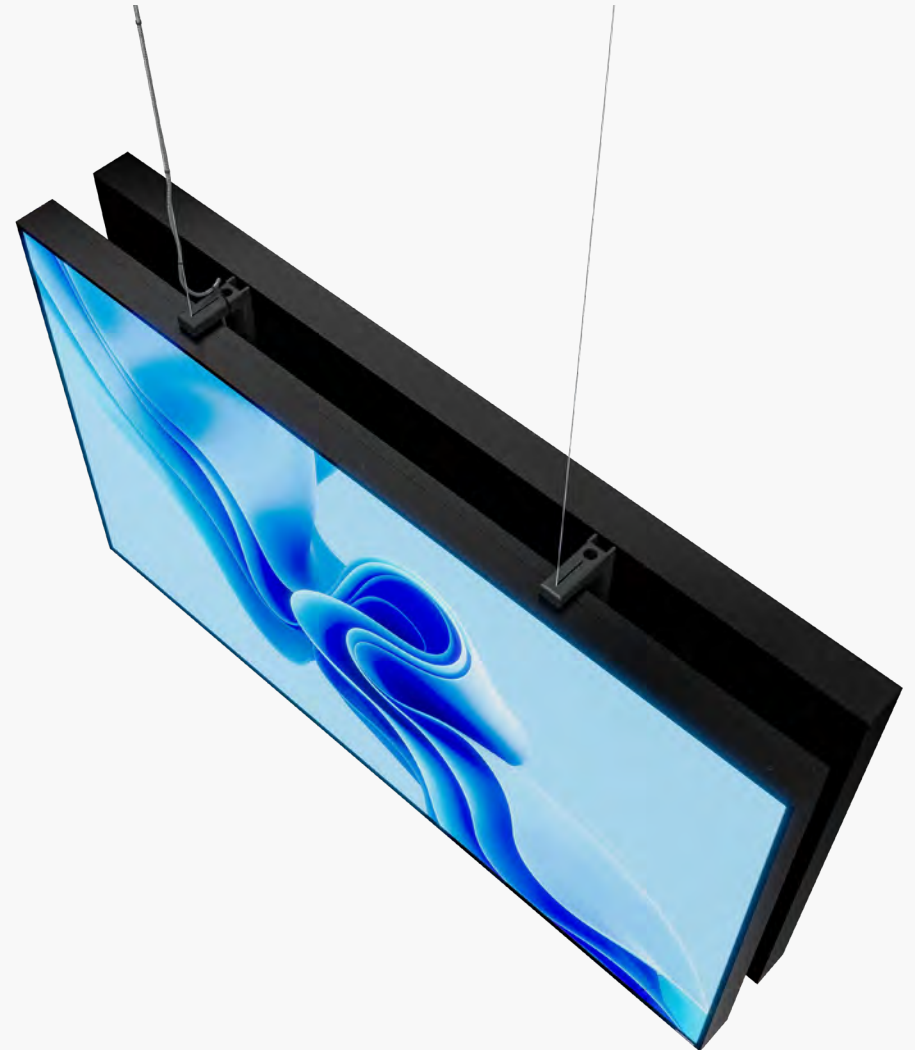


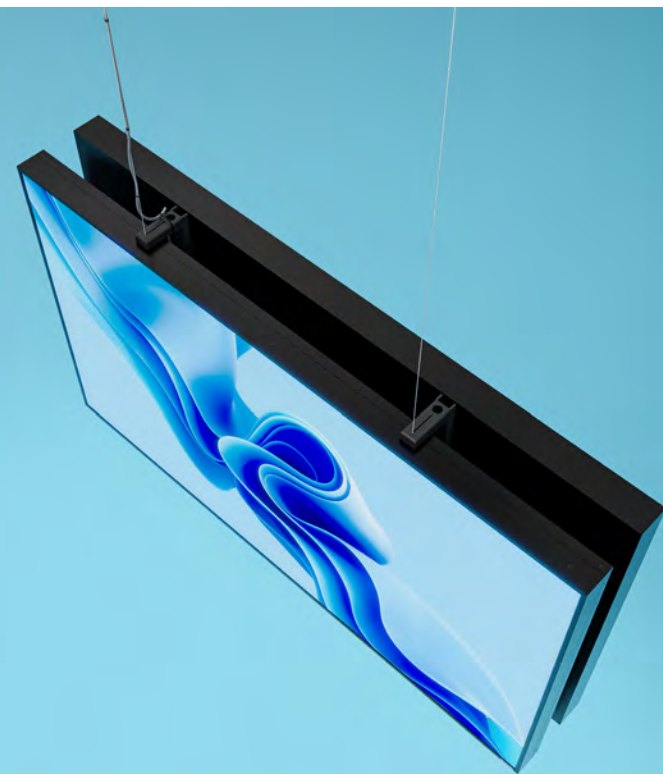
Compatibility
Horizontal and vertical ESD[®]
49"/55"

DIMENSIONS (mm)



A	B	C	D	E
620	85	27	400	400







VM AIR LINE

vitrinedia

50 Route de la Reine - 92100 Boulogne-Billancourt
FRANCE | +33 (0)1 49 21 00 61 | hello@vitrinedia.com
www.vitrinedia.com