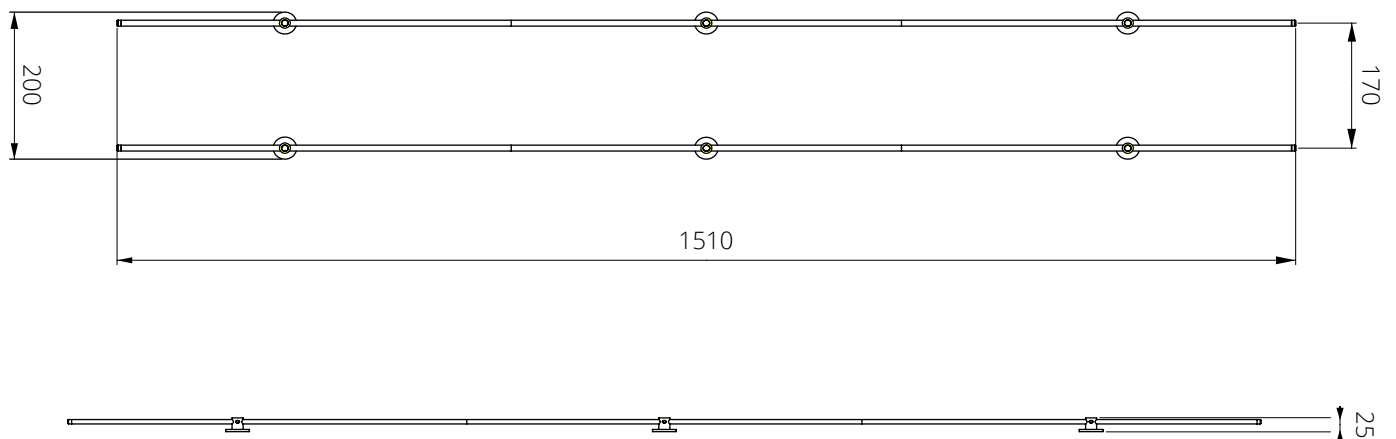


VM WALL

Detailed Itemized List

- 6 x Anodized aluminum fixture bars
- 4 x Threaded stem
- 4 x Anodized aluminum caps
- 6 x Chromed metallic wall fixtures
- 6 x Screws + dowels
- 1 x s2 Allen Key
- 1 x Positive interconnecting cable
- 1 x Negative interconnecting cable

Dimensions [mm]



Technical Data

| | |
|--------------------|---|
| Supplier Reference | 1053215001 |
| VM Reference | N/A |
| Orientation | Horizontal / Vertical / tilted (optional) |
| System | On bars |

Compatible Display Panel

| | |
|----------------|-----------------------------|
| VM TWO CLIP | A4 Portrait / Landscape |
| | A3 Portrait / Landscape |
| VM SUPER LIGHT | A4 Landscape / A3 Landscape |

Logistical Data

| | |
|------------------------------|---------------|
| Package Size (mm) | 545 x 45 x 40 |
| Export box size (mm) | N/A |
| Export box gross weight (Kg) | N/A |

Product Use

| Environment | Temperature | Humidity |
|--------------------|------------------------------------|--------------------------|
| Storage conditions | -5C° - 60C° | 10% - 95% RH Uncondensed |
| Environment of use | 0C° - 40C° | 20% - 90% RH Uncondensed |
| Maintenance | No detergents or abrasive products | |

