

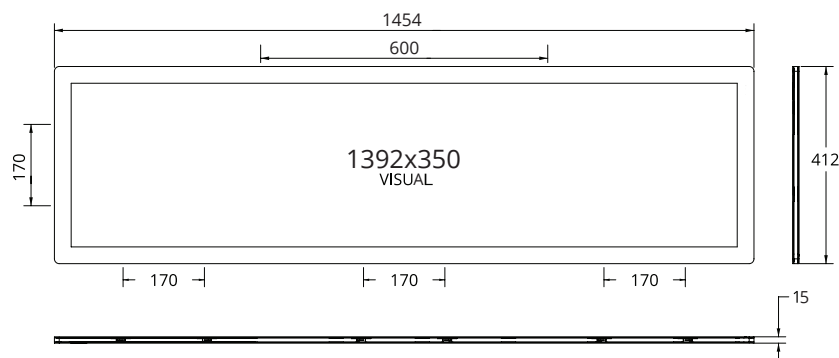
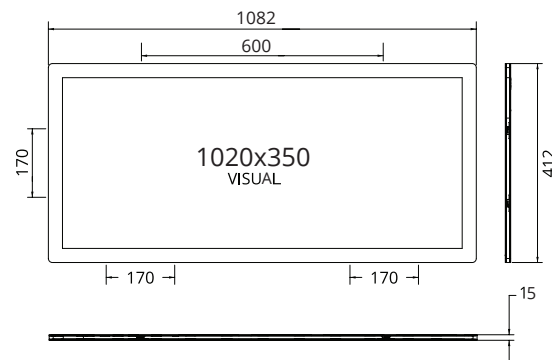


VM PANORAMIC BANNER

Content

1 x VM PANORAMIC BANNER
1 x Allen Key
8 x Set screw

Dimensions [MM]



Technical Data

General	Visual dimensions [MM]	1020x350		1392x350	
	Product reference	1014215002	1011716002	1014215001	1011716003
	Product label	VM PANORAMIC BANNER S BLACK	VM PANORAMIC BANNER S SIL/W	VM PANORAMIC BANNER L BLACK	VM PANORAMIC BANNER L SIL/W
	Orientation	Landscape / Portrait		Landscape / Portrait	
	Front panel color	Black	Silver	Black	Silver
	Back panel color	Black	White	Black	White
	Net weight [KG]	6.69		8.97	
Electricity	Input voltage [V DC]	24		24	
	Max power [W]	14.21		21.31	
	Max intensity [A]	0.63		0.86	
Luminosity	Front side [LUX]	2500		2800	

Logistics Data

Export box	Product unit per export box	1		1	
	Dimensions LxIxH [MM]	1195x110x500		1590x110x500	
	Gross Weight [KG]	11.48		14.97	

Product Use

Environment	Temperature	Humidity
Storage conditions	-5°C - 60°C	10% - 95% RH non condensed
Use environment	0°C - 40°C	20% - 90% RH non condensed
Product Care	No detergent, no abrasive product	

