

VM DOCUMENT HOLDER

VM DOCUMENT HOLDER showcases all your product marketing materials.

Featuring a VM TWO CLIP illuminated display, this hybrid holder can be used in landscape or portrait mode. Its tilting angle can be adjusted between 0° and 160°. A unique feature is its ability to support a document holder on its height-adjustable central column. The maximum load is 2.5kg.

ADJUSTABLE TILT
180° of tilt possible.

HYBRID
Portrait or landscape.

TECHNICAL SPECIFICATIONS



Color
Black mat

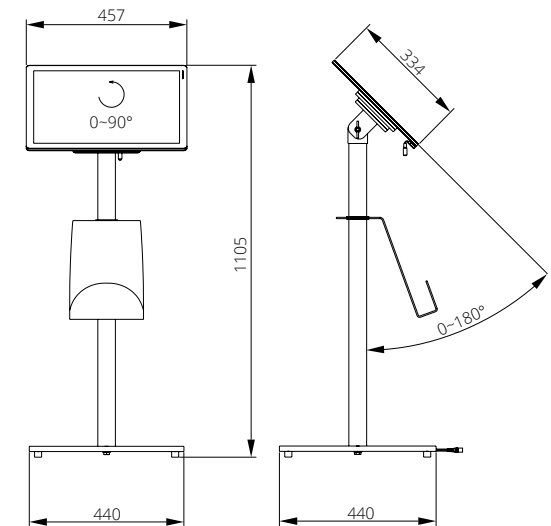


Low voltage
24 Volts



Compatibility LCD display
VM TWO CLIP
A3

DIMENSIONS (mm)



50 route de la Reine,
92100 Boulogne-Billancourt/France
T+33 (01)49 21 00 61/F+33 (01) 70 24 85 59 /
E contact@vitrinemedias.com/www.vitrinemedias.com





21st CENTURY
PERFORMANCE

300 MILES
ON A SINGLE CHARGE



VITRINEMEDIA
BY PERFORMA

ILUMINE
SU NEGOCIO

Comunique mejor
y vende más

¿QUIERES BOMBO?

¡MÁS VISIBILIDAD!
¡MÁS CLIENTES!
¡MÁS VENTAS!

¡MÁS VISIBILIDAD!
¡MÁS CLIENTES!
¡MÁS VENTAS!

MODEL S

MODEL S PERFORMANCE



Beta Prototype Vehicle